

AIRBOY®

nano4 – OPERATION INSTRUCTIONS



OPERATING INSTRUCTIONS

Contents

Safety Guidelines	2
Air cushion types	3
Machine overview	4
Technical data	5
Accessories and spare parts	7
Operating instruction	8
Adjustments with control panel	10
Replacement of blade	10
Replacement of high temperature belt	13
Failures and solutions	14
Options and expandability	15
Maintenance and Cleaning	16
Warranty	17
Declaration of conformity	18
Support und Service	19

Document version 10.01.2024

OPERATING INSTRUCTIONS

Safety guidelines

Please read the safety guidelines and operating instructions closely before using the machine.



- Turn off the machine and disconnect power before opening the machine or performing any repair or maintenance work on the machine.
- Switch off the machine if it will not be used for an extended period of time.
- Do not insert any objects into the machine when it is connected to power.
- To prevent the risk of electric shock, ensure that the machine does not come into contact with liquids.



- Do not operate the machine without the covers for the machine components.
- Keep hair and loose clothing away from the film feed mechanism.
- Place the machine only on surfaces that are adequately large, stable, flat, and horizontal.

This machine is designed for safe operation in compliance with the use, instructions, and guidelines specified in this operating instruction.

All persons who use this machine must be familiar with the content of these operating instructions and must carefully follow the safety guidelines.

FLOETER shall not be responsible for damage resulting from improper use of the machine or non-observance of the safety guidelines.

OPERATING INSTRUCTIONS

Air Cushion filler

Our standard version – Polyethylene 20 µm



Type 9.7.1 AirWave air cushion filler 100 x 210 mm; 20 µm;
350 lfm

Ideal for filling small voids and for use as an intermediate layer

Air cushion wrapper

Our standard version – Polyethylene 20 µm

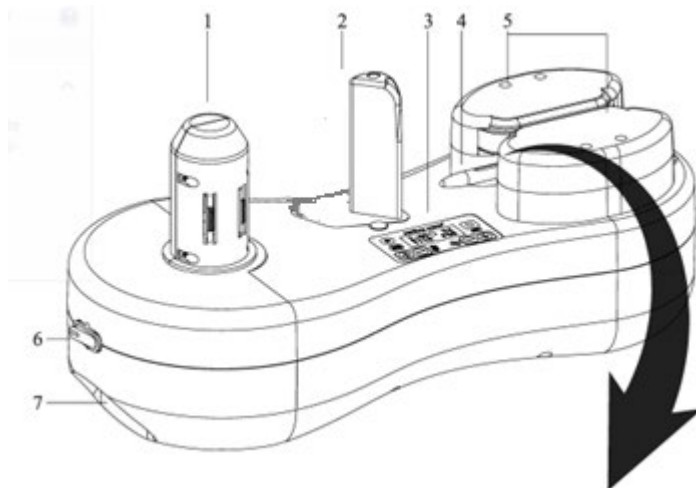


Type 9.8.3 AirWave wrapper 320 x 420mm 4 chambers;
20 µm; 225 lfm

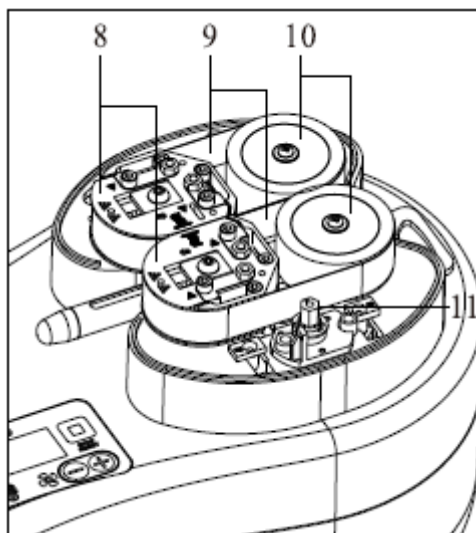
4 chambers for use as an intermediate layer, wrapping and envelope

All FLOETER air cushion films can be processed with the AirBoy nano 4. The setting recommendations (page 6) refer to the formats listed here (9.7.1 and 9.8.3) and must be slightly adjusted for other formats.

Machine Overview



1. Feeding roller
2. Tension column
3. Control panel
4. Air nozzle
5. Protecting cover
6. Power switch
7. Power socket



8. Heating element
9. Teflon belt
10. Silicone wheels
11. Excentric shaft

OPERATING INSTRUCTIONS

Technical data

Input Voltage:	AC100-240 1.6A 50/60Hz
Working power:	50-150W
Speed (4 levels):	V1:4m/min; V2:6m/min; V3: 8m/min; V4:10m/min
Weight:	2,6 kg
Output Voltage:	DC 12V 8A
Product dimensions (LxBxH):	430 x 190 x 195 mm

Recommended settings

Standard 20µm / ClimaFilm-50			
	Speed	Temperature %	Air %
9.7.1 / 7.1	V4	120-130	06-08
9.8.3 / 7.1	V4	120-130	32-34

from Serial-No. > N4 120250XXX please use the following settings :

Standard 20µm / ClimaFilm-50			
	Speed	Temperature %	Air %
9.7.1 / 7.1	V4	65-75	13-15
9.8.3 / 8.3	V4	65-75	70-75

All other settings for Floeter air cushion chains and mats can be found [here](#):



OPERATING INSTRUCTIONS

Accessories and spare parts



Hex key (2 pcs.)



Teflon Belt (2 pcs.)



Blade (1 pcs.)



Wrench (1 pcs.)

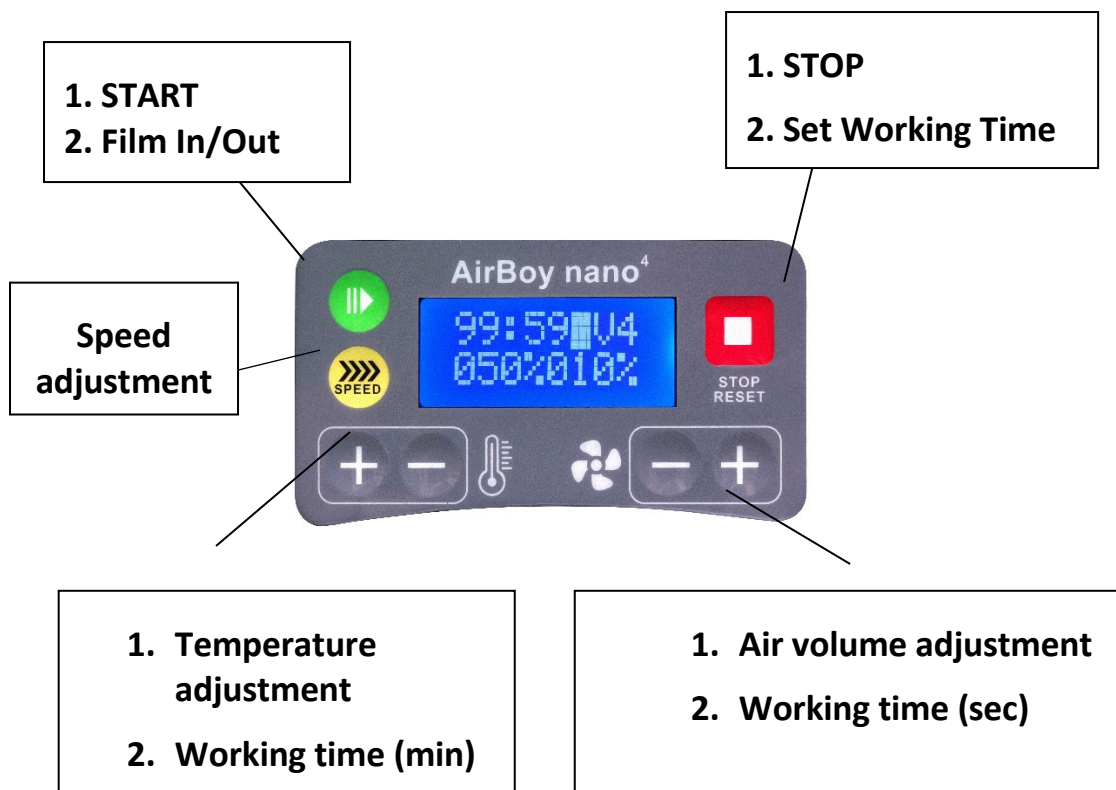


Screw



Power cord

Operating Instructions



Control panel:

99:59 Working time (max. 99min:59sec)

V4 Speed level V4 (10m/min)

050% Temperature (50%)

010% Air volume level (10%)

Operating Instructions



1. Turn on the power switch

Connect the power cable to the socket and turn on the power switch.



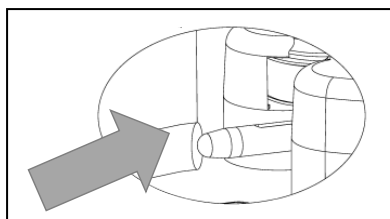
2. Install the air cushion film on the feeding roller

Load the film roll into the feeding roller and pass the film through with the air channel side down. Pull film the inner side of the film tension column A, pass through the film tension B.



3. Preparation of air cushion production

Open the air channel and put film into air nozzle to pass through the air channel until the film is 1cm behind the wheels. Press the „START“ button for a longer period until the film is 5cm behind the wheels.



OPERATING INSTRUCTIONS

4. Air Cushion production

After you have inserted the film and set the parameters (page 6) temperature, air volume, speed according to the type of film - press the "START" button to start film production and check the air filling quantity and sealing result at the same time. If necessary, adjust the temperature and air volume according to the actual situation (room temperature etc. can be determining)

5. Break

The machine will stop automatically after running for the preset time, or you can manually press "STOP" button to stop working when the machine running. The remaining time will not be reset, only after turning off the machine.

Adjustments with control panel

1. Speed adjustment

After pressing START machine is working with the last preset data. Pressing SPEED you choose the different speeds V1 – V4. Please adjust the speed according to page 6.

2. Temperature adjustment (T)

Temperature setting is on the left side of panel. Pressing the "+" button increases the temperature; pressing the "-" button decreases. Press one time means increase or decrease 1 level. Continuous pressing rapidly increases or decreases. (Please decrease if there are holes in the sealing bags; please increase if sealing is not very strong)

3. Air volume adjustment (F)

Air volume setting is on the right side of panel. Pressing the "+" button increases the air volume; pressing the "-" button decreases. Press one time means increase or decrease 1 level.

Speed, temperature (T) and air volume (F) can be changed during the film production.

4. Adjustment working time

Working time presetting: Long press the "STOP" button to enter the run time preset mode (00:01 bis 99:59min), the temperature "+" and "-" buttons refer to minutes; the air volume "+" and "-" buttons refer to seconds. Please press the "STOP" button to save and exit the data

1. Before presetting run time, please estimate the rest length of film to avoid the idle times and cause the machine damaging.
2. The working time only be set up in advance and cannot be changed while the machine in working mode. But the air volume, speed and temperature can be changed anytime.
3. Users can adjust the parameter according to different required; it will save the used parameter with each power off

Example: Full roll AirWave Standard 9.7.1 (350m) lasts:

V4 (10m/min) - 35min

V3 (8m/min) - 44min

V2 (6m/min) - 59min

V1 (4m/min) - 88min

Replacement of blade

Please replace the blade if the film bunches up on the blade or when the cut is seriously uneven. Also replace if rust appears on the blade.

Step 1: Switch off the machine and disconnect power



Disconnect power to the machine by removing the power cord completely from the machine.

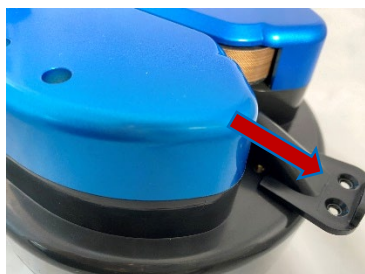


Allow the machine to cool down!



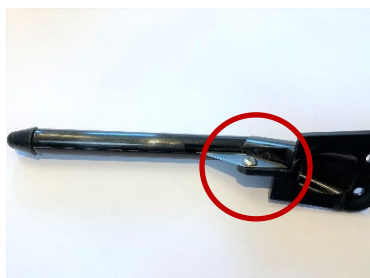
Step 2:

Using the hex key unscrew the screws of blade bracket.



Step 3:

Pull out the blade carrier (blade is located on the bottom side). Please take care!



Step 4:

Using the hex key to unscrew the screws of blade and change it.

Replace high temperature belt

Please replace the high temperature belt when there are abrasions, the heating unit, the conveyor wheels and the sealing wheels will fail if the high temperature belt is worn and not replaced.

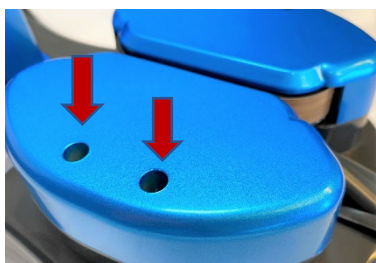
Step 1: Switch off the machine and disconnect power



Disconnect power to the machine by removing the power cord completely from the machine.

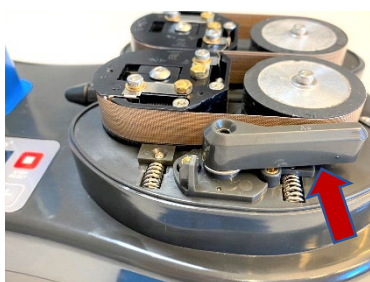


Allow the machine to cool down!



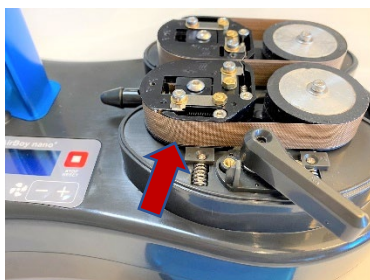
Step 2:

Remove the protective covers with the provided hex key



Step 3:

Install the wrench on the excentric shaft



Step 4:

Turn the wrench clockwise until the transport wheels are movable and replace the belt.

Step 5:

Turn the wrench to original position and put the protective covers back.

Failures and solutions

	Failure	Reason analysis	Solution
1	Air leakage	temperature value too low	increase temperature value
2	sealing is wide and thin	temperature too high	lower temperature value
3	under-inflation	air volume value too low	increase air volume value
4	during operation the foil is jamming the heating area	the body temperature of device increased.	Turn off the device, let it cool down, check/replace blade

Options and expandability

Please contact your sales advisor for further information.



Mobile table solutions

Bring your machine to the ideal working height.(compatible with Docking station)



Rolling basket light

The rolling basket is mobile and always brings your air cushions to the ergonomically correct working height.

Maintenance and Cleaning

The AirBoy nano4 is a low maintenance machine. Mechanically claimed parts can show traces of abrasion after certain operating time and need to be changed. Furthermore there can occur typical contamination or residues of film or dust at the AirBoy nano4.

Our recommendation:

After 30 roll changes or if required:

- 1) Check Teflon belts and replace as the circumstances require.
- 2) Check transport rolls regarding contamination and grip clean or replace if necessary.
- 3) Check blade, see the cutting of the film, if necessary replace (page 12)
- 4) If necessary clear the machine of contamination and residue of film. Consider also knife slot at air pipe, sealing block and other areas of the machine.

Warranty

AirBoy nano4 has a 12-month manufacturer's warranty that covers all electronic and mechanical components. The warranty period starts automatically when you purchase the machine.

In the event of damage, please contact our Customer Service Center (please see contact below). If the machine needs to be send back to us, please follow the steps discussed with our service team. Your machine will be returned to you immediately once the repair is finished. If you need a replacement machine, the warranty period will continue from the receipt date of the first machine. The warranty will not be extended.

The scope of the warranty does not include the following:

- Damage resulting from improper use of AirBoy nano4
- This includes, in particular, damage caused by using unsuitable films or inserting foreign objects into the machine's transport belts.
- Wear and tear caused by regular use
- Wearing parts, in particular, Teflon belts, blades, and transport rollers

Contact:

FLÖTER Verpackungs-Service GmbH
Robert-Bosch-Str. 17
D - 71701 Schwieberdingen

Mail: info@floeter.com

Tel: +49 (0) 7150 / 92396-0

Declaration of Conformity

The machine AirBoy nano4 is compliant with the relevant harmonized standards listed according to EMC-Regulations 2014/30/EU and LVD Regulations 2014/35/EU. The compliance was verified by an independent specialized certifying company.

Technical documentation available on request.

Support und Service

If you need support, advice or do you have any questions?

We are here for you: www.floeter.com/en/support/



FLÖTER Verpackungs-Service GmbH
Robert-Bosch-Straße 17
71701 Schwieberdingen
Germany

Tel.: +49 (0) 7150 / 92396 - 0
Info@floeter.com

www.floeter.com/EN