

# AIRBOY®

## nano3 - OPERATING INSTRUCTIONS



## Contents

Contents	1
Safety guidelines	2
Air cushion types	3
Machine overview	4
Technical data	4
Buttons introduction	5
Accessories	5
Operating device	6
Operating setting details	9
Parameter setting guidance	10
Maintenance Notes	11
Consumables and abrasion accessories declaration	13
Failure Code	15
Options and expandability	18
Support and Service	19

Document version 25.10.2019

## Safety guidelines

Please read the safety guidelines and operating instructions closely before using the machine.



- Turn off the machine and disconnect power before opening the machine or performing any repair or maintenance work on the machine.
- Switch off the machine if it will not be used for an extended period of time.
- Do not insert any objects into the machine when it is connected to power.
- To prevent the risk of electric shock, ensure that the machine does not come into contact with liquids.



- Do not operate the machine without the covers for the machine components.
- Keep hair and loose clothing away from the film feed mechanism.
- Place the machine only on surfaces that are adequately large, stable, flat, and horizontal.

This machine is designed for safe operation in compliance with the use, instructions, and guidelines specified in these operating instruction.

**All persons who use this machine must be familiar with the content of these operating instructions and must carefully follow the safety guidelines.**

FLOETER shall not be responsible for damage resulting from improper use of the machine or non-observance of the safety guidelines.

# Air cushion types

Our standard version – Polyethylene 20 µm or Bio (home-compostable)

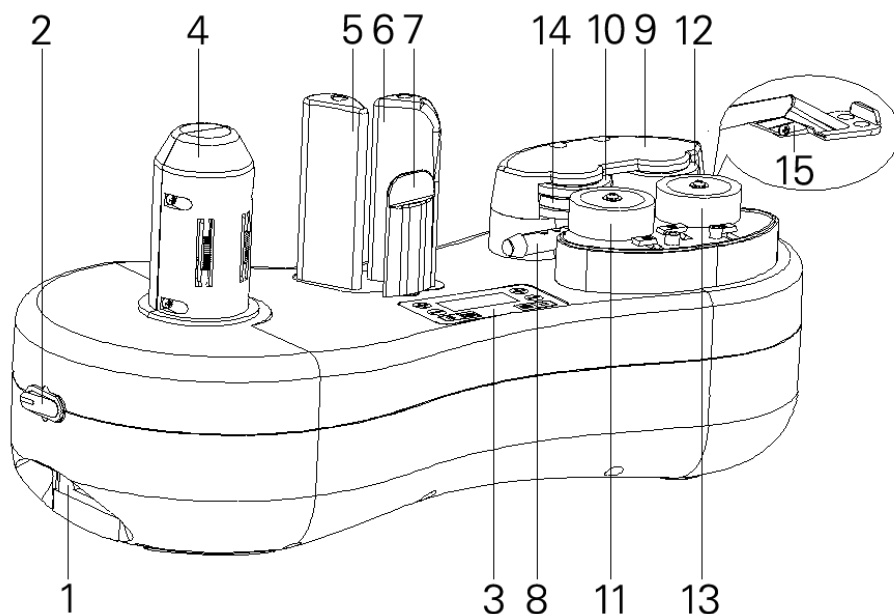


**Type 7.1 AirWave air cushion filler 100 x 210 mm**  
Ideal for filling small voids and for use as an intermediate layer



**Type 8.3 AirWave wrapper 420mm 4 chambers**  
4 chambers for use as an intermediate layer, wrapping, and envelope

## Machine overview

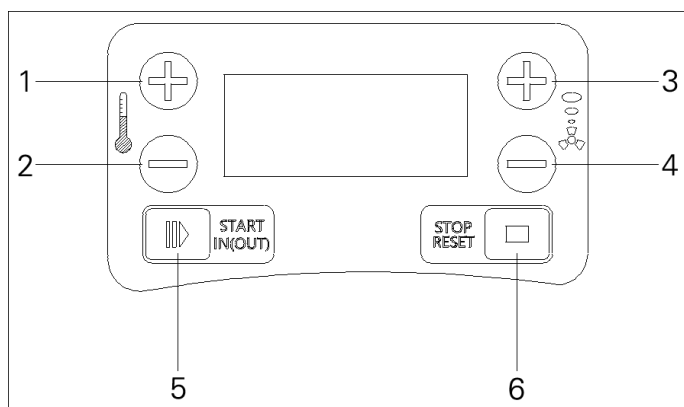


- |                     |                        |                           |
|---------------------|------------------------|---------------------------|
| 1. AC power cable   | 6. Tension column B    | 11. Puller A              |
| 2. Power switch     | 7. Roll film tension   | 12. Sealing wheel B       |
| 3. Control panel    | 8. Air nozzle          | 13. Conveyor wheels C/D   |
| 4. Feeding roller   | 9. Protecting cover A  | 14. High temperature belt |
| 5. Tension column A | 10. Protecting cover B | 15. Knife/Blade           |

## Technical data

Power supply:	AC100-240V 1.6A 50/60Hz
Power consumption:	60 W
Production speed:	3.5 m / min
Weight:	2,5 kg
Dimensions (l / w / h):	430 / 190 / 195 mm

## Buttons introduction



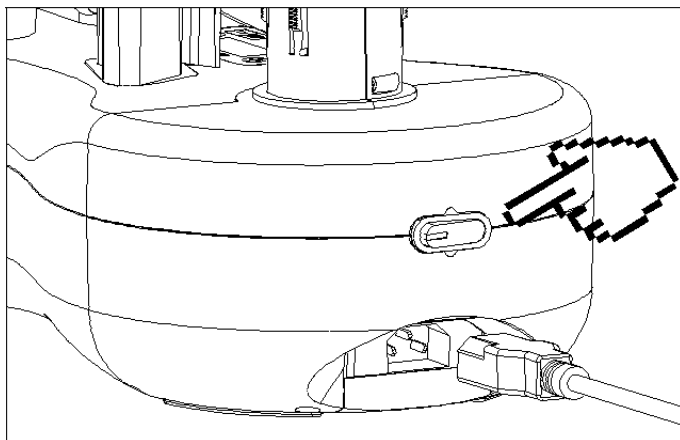
1. Temperature "+" 01~30 level
2. Temperature "-" 30~01 level
3. Air Volume "+" 01~40 level
4. Air Volume "-" 01~40 level
5. Start / Enter Film (press long time)
6. Pause / Adjust time (press long time)

## Accessories

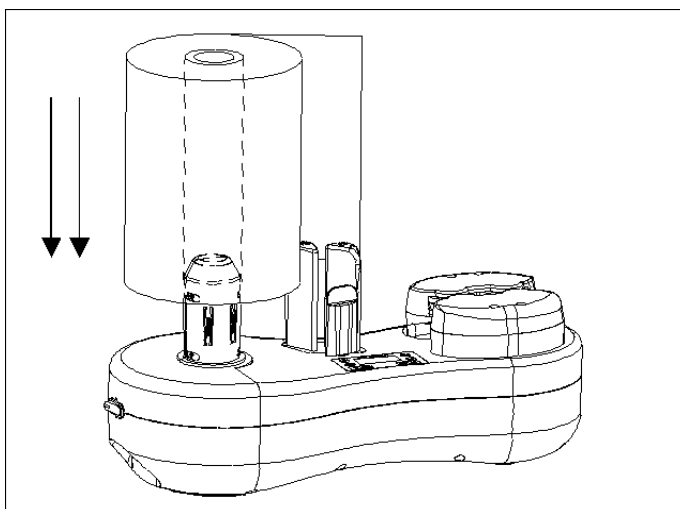
Name	Quantity
nano3 Machine	1
AC power plug	1
User manual	1
Knives / Blades	2
Spare belts	2
Pins	4

## Operating device

- 1. Turn on the power switch**  
Connect the power cable and turn on the power switch

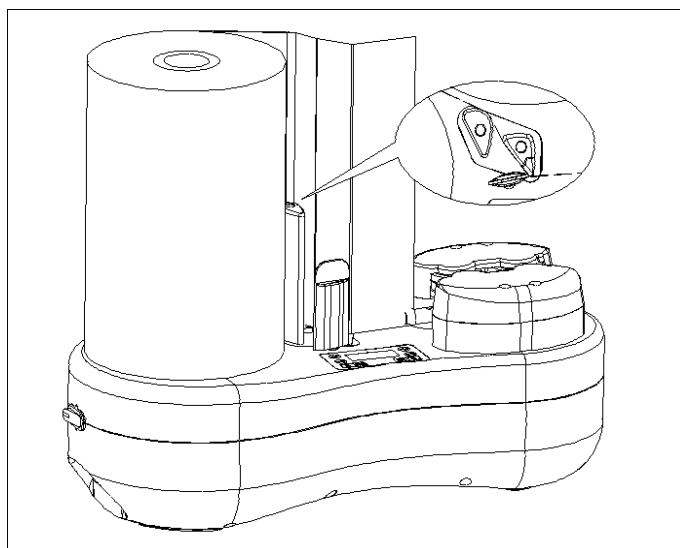


- 2. Load in the air cushion film**  
Load the film roll into the feeding roller and pass the film through with the air channel side down, pull film in from the right side of tension column A, then pull out from the middle of guide tension column B and roll film tension.



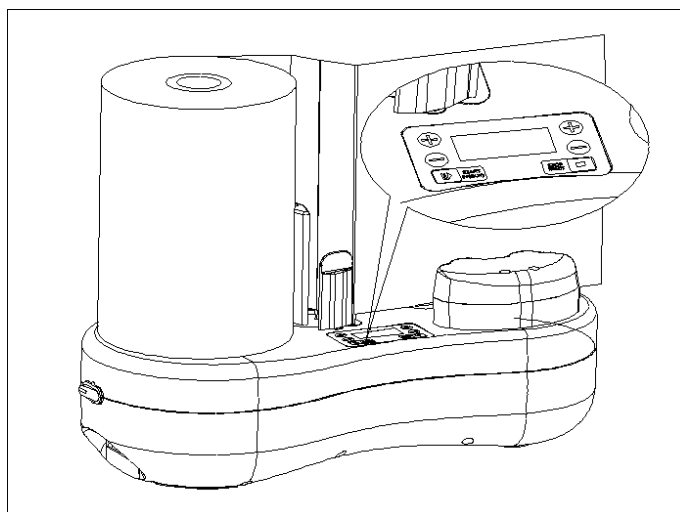
## OPERATING INSTRUCTIONS

Pull out from the middle of guide tension column B and roll film tension



### 3. Feeding the film onto the air nozzle

Open the air channel and put film into air nozzle to pass through the air channel until the film is 1cm behind the wheels.

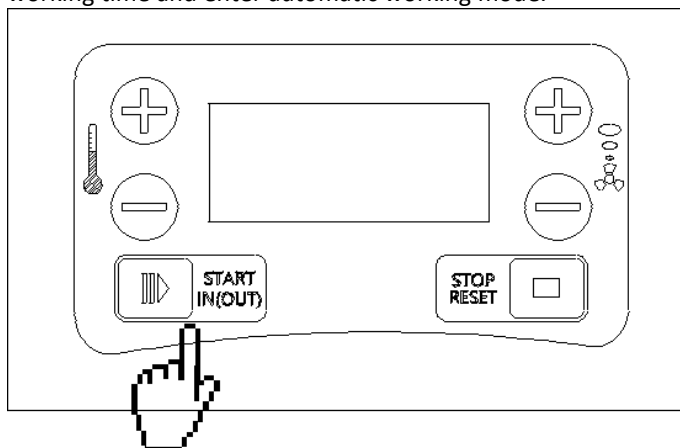




## OPERATING INSTRUCTIONS

### 4. Start film

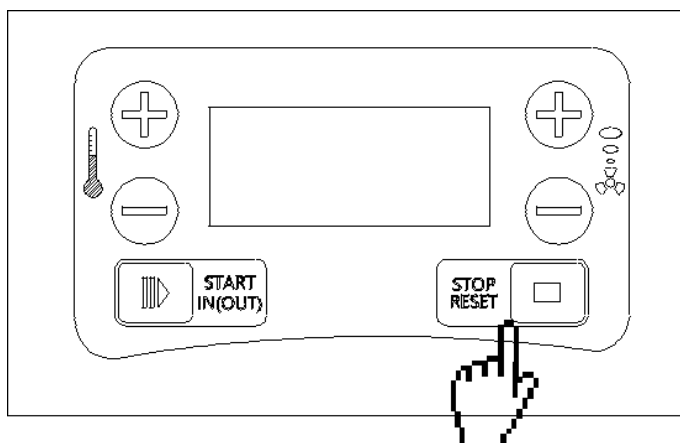
Press the “start” button to start the feeding of the film and check the air volume and the sealing result. Adjust the temperature and air volume according to the desired results. Once the sealing result and volumes are perfect, you can preset working time and enter automatic working mode.



According to the actual conditions (different types of film, different environment temperature) adjust the temperature and air volume, and then press the “START/IN(OUT)” button to start enter film.

### 5. Pause

The machine will stop automatically after running for the preset time, or you can manually press “STOP” button to stop working when the machine running.



## OPERATING INSTRUCTIONS



The corner of the film can be cut at an angle to make it easier to fit the film over the air nozzle.

## Operating setting details

1. Temperature setting is on the left side of panel.  
Pressing the “+” button increases the temperature; pressing the “-” button decreases.  
There are 1-30 levels.  
Press one time means increase or decrease 1 level. Continuous pressing rapidly increases or decreases. (Please decrease if there are holes in the sealing bags; please increase if sealing is not very strong)
2. Air volume setting is on the right side of panel.  
Pressing the “+” button increases the air volume; pressing the “-” button decreases. There are 1-40 levels.  
Press one time means increase or decrease 1 level. (Please decrease the air volume if there is air in the film on the left side of film tension)
3. Working time presetting:  
Long press the “STOP” button to enter the run time preset mode (00:01~02:00), the temperature “+” and “-” buttons refer to hours; the air volume “+” and “-” buttons refer to minutes.  
Please press the “STOP” button to save and exit the data.

1. Before presetting run time, please estimate the rest length of film to avoid the long-time racing and cause the machine breaking.  
A whole roll film (300 meter) needs 1 hour and 20 minutes; half roll film can preset 30 minutes running time; less half roll film can preset 10~20 minutes.
2. The working time only be set up in advance and can not be changed while the machine in working mode. But the air volume and temperature can be changed anytime.
3. Users can adjust the parameter according to different required; it will save the used parameter when each power off.

## Parameter setting guidance

### Temperature Value Setting:



1. Depending on the workplace temperature  
If the workplace temperature is around 30°C and the AirWave Standard film with a thickness of 20µm is in use, then the reference temperature is: T=14.
2. If the workplace temperature is colder, you may need to slightly increase the temperature value; if the workplace temperature is hotter, need to slightly lower the temperature value correspondingly. The reference is around 1 level/5 °C.
3. If roll film is thicker, the temperature value should be slightly increased correspondingly. The reference value is around 2-3 level/5µm.
4. The temperature value should be set up correspondingly according to different materials of film. The reference temperature value as above are based on the standard air cushion films. The temperature value need to be adjusted again if you use other air cushion films.
5. If the air cushion machine has operated more than 2 hours, we suggest that you slightly lower 1 level, because continuous working will accumulate heat.

## OPERATING INSTRUCTIONS

### Air volume setting

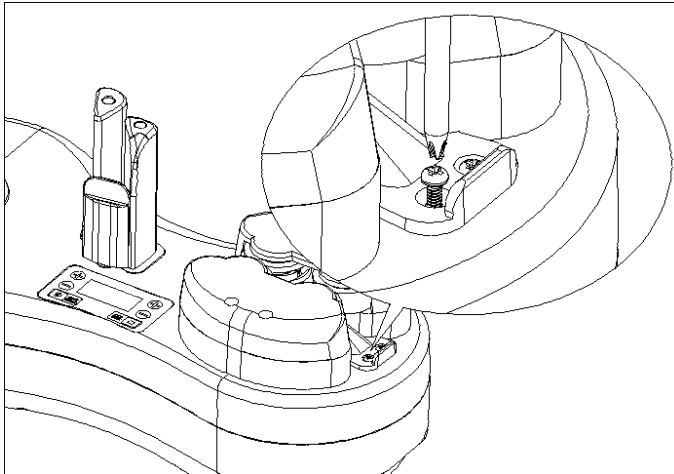
1. The reference air volumes as above are for the air cushion films with the thickness of 20 $\mu$ m.
2. Correct air value will give better seal performance.
3. If the air volume is too high, it will hardly change the fill level, but it will cause more wrinkles in the seal and impact on the air-tightness.

## Maintenance Notes

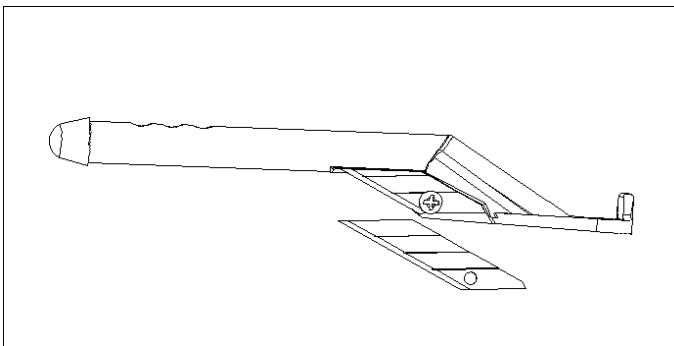
Please regularly check the working status of machine and timely remove any buildup or residue which can be left in the conveyor wheels.

### Replace the blade

Please replace the blade if the film bunches up on the blade or when the cut is seriously uneven.



Using the screwdriver unscrew the screws of blade carrier

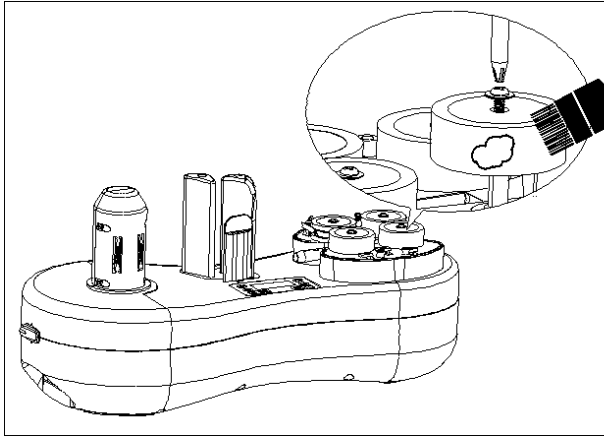


## OPERATING INSTRUCTIONS

Using the screwdriver unscrew the screws of blade and change them.

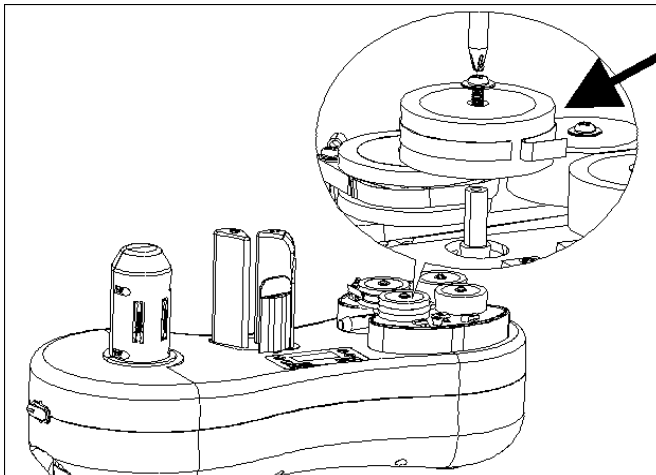
### **Wheels clearance**

The sealing quality will be effected if there are residue of air cushion film in the conveyor wheels, please clean them regularly.



### **Sealing wheels abrasion**

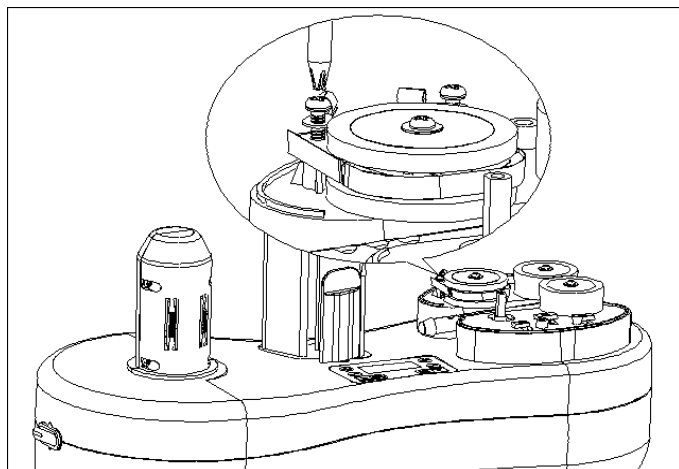
The middle round of the sealing wheels is easily roughened. The sealing quality can be effected if there are serious abrasions.



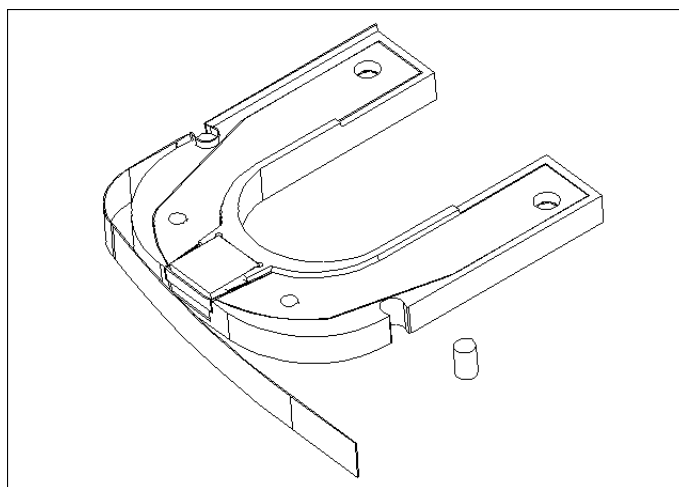
Tear off the sealing belt in the middle of sealing wheels and replace it.

### **High temperature belt abrasion**

Please replace the high temperature belt when there are abrasions, the heating unit, the conveyor wheels and the sealing wheels will fail if the high temperature belt is worn and not replaced.



Remove the roller and take out the “U-type” high temperature module.



Take out the colloidal pins in the two side of high temperature module and replace the high temperature belt

## Consumables and abrasion accessories declaration

The knife and Teflon bands are abrasion accessories and need to be changed after continuous use of the machine.

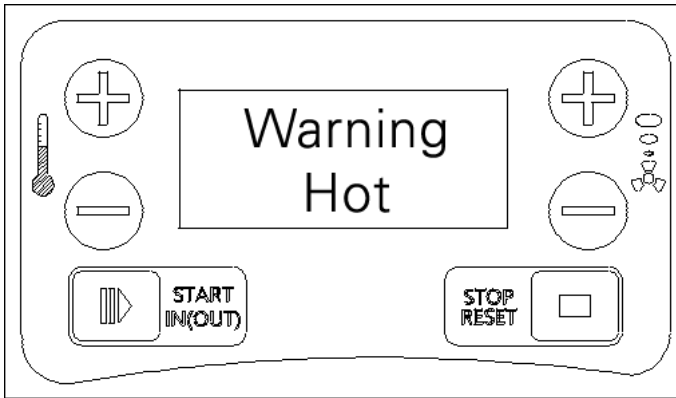
## OPERATING INSTRUCTIONS

Wearing parts	Knife / Blade	2
	High temperature belt	2
	Pins	4
	Conveyor Wheel A	1
	Heating piece	1
	Heating piece fixation module	1

## Failure Code

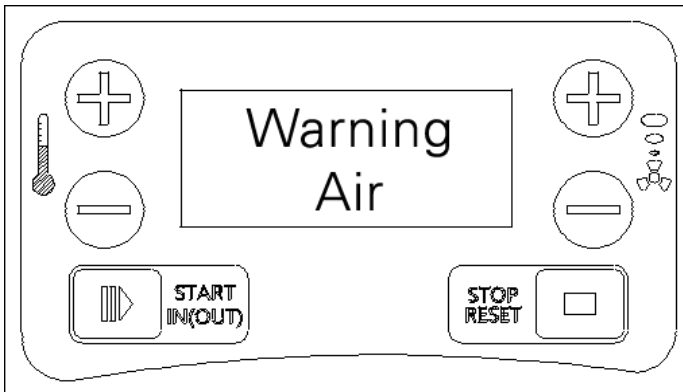
Each time the power supply of this device is turned on, the device will do the self-testing. At that time the motor will drive the conveyor wheel to complete the self-testing. Please contact with our customer service center and we will solve these problem as soon as possible.

### A. Warning Hot - Heating module for sealing failure



Turn on the power switch of device, the screen is completely blank and the device does not have any action (air blower and conveyor wheels). Please check whether the cable has connected with power and please check the adapter

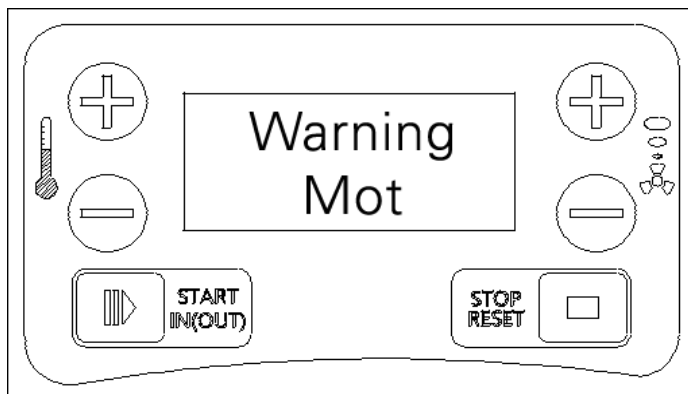
### B. Warning Air - Air blowing module failure



If the air come to the left side of Roll film tension or the film is frequently being pulled off, please check the air volume value and lower the value appropriately



**C. Warning Mot - Air blowing module failure**



If the film is not being sealed very well or the film is perforated please check the temperature value and adjust appropriately. If it is not working, please check whether the high temperature and sealing wheel B are scuffed.

**FAQ**

- A. Turn on the power switch of device, the screen is completely blank and the device does not have any action (air blower and conveyor wheels). Please replug the cable to the machine and the power outlet.
- B. If the air is on left side of Roll film tension or the film is frequently being pulled off, please check the air volume value and lower the value appropriately
- C. If the film is not sealing very well or the film seal is perforated please check the temperature value and adjust appropriately. If it is not working, please check whether the high temperature and sealing wheel B are scuffed

## Common failure and solutions

Item	Failure phenomenon	Reason analysis	Solution
1	Air leakage	Temperature value is too low	Increase temperature value
2	Sealing is wide and thin	Temperature value is too high	Lower temperature value
3	Under-inflation	Air volume value is too low	Increase air volume value
4	During operation, the foil is jamming the heating area.	The device has working more than 30minutes, the body temperature of device increased.	Turn off the device after pulling the film 5cm away from the device to remove the film.

## Options and expandability

Please contact your sales advisor for further information.



**AirWave 1/2 Rolling container**  
always brings your air cushions to the ergonomically correct working height. Locally flexible.



**AirWave 1/2 Mobile table solution**  
Bring your machine to the ideal working height.  
(compatible with Docking station)



**AirWave 1/2 Docking station**  
For a decentralized consumption with mobile rolling container completely independent of machine position.

### Contact:

FLOETER Verpackungs-Service GmbH  
Robert-Bosch-Str. 17  
71701 Schwieberdingen  
Germany

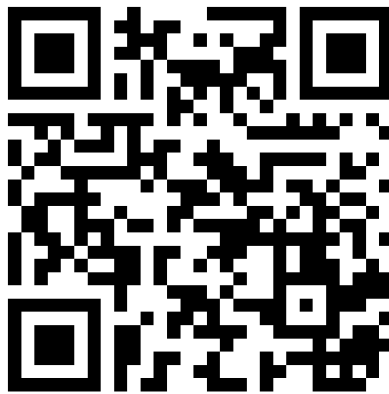
tel: 0800 FLOETER (free within Germany)  
e-mail: [info@floeter.com](mailto:info@floeter.com)  
tel: +49 (0) 71 50 / 923 96-0

OPERATING INSTRUCTIONS

## Support and Service

You need support, advice or do you have any questions?

We are here for you:



[www.floeter.com/en/support/](http://www.floeter.com/en/support/)

FLOETER Verpackungs-Service GmbH  
Robert-Bosch-Straße 17  
71701 Schwieberdingen  
Germany

tel.: +49 (0) 7150 / 923 96 - 0  
Info@floeter.com

**[www.floeter.com](http://www.floeter.com)**